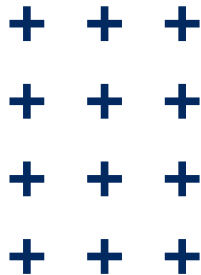
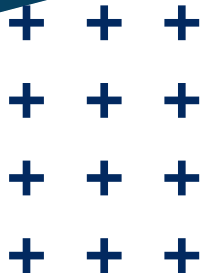




HYDRONE GENERATION 4.5



The next generation of Uncrewed Surface Vessels for Hydrographic Survey Applications.



DESIGNED TO SIMPLIFY FIELDWORK WHILE DELIVERING RELIABLE RESULTS. WORKS SEAMLESSLY WITH THE HYDROLITE SF200.



Hydrolite SF200



TOOL-LESS ASSEMBLY

The HyDrone™ 4.5 features a redesigned tool-less assembly with quick-release fittings, allowing setup or pack up in minutes with no tools required.



AUTONOMOUS & REMOTE CONTROL

The HyDrone™ 4.5's upgraded remote provides responsive steering, extended range, and real-time telemetry for smooth, precise control.



SOFTWARE COMPATIBILITY

The HyDrone™ 4.5 works seamlessly with leading hydrographic software, including Hypack, Carlson, EPOCH, Leica, Sokkia, Topcon, and Trimble.

Specifications

TYPICAL SURVEY SPEED

2 knots (1 m/s)

TOP SPEED

4 knots (2 m/s) in ideal conditions

HULL LENGTH

1.24 m / 49 in

OVERALL WIDTH

0.74 m / 29 in

HULL MATERIAL

High-Density Polyethylene (HDPE) – UV resistant

HARDWARE

316 Stainless Steel

POWER

15 – 22 VDC Nominal

BATTERY ENDURANCE

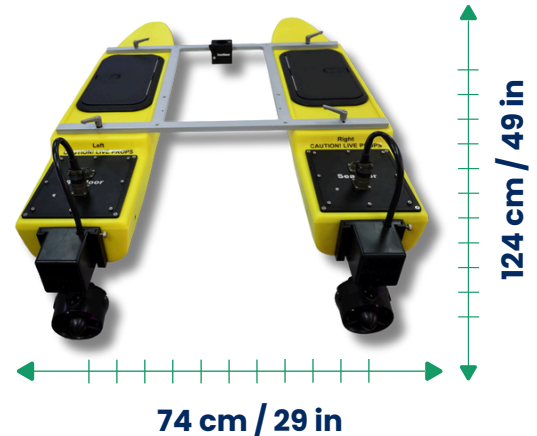
Up to 9 hours at survey speed with 6S 22Ah batteries (field-swappable)

REMOTE CONTROL RANGE

Up to 1 km (0.6 mi) line-of-sight, conditions dependent



New RCU



124 cm / 49 in

74 cm / 29 in



RCV

Manual control at your fingertips. Navigate with precision using the responsive remote. Ideal for quick deployments and hands-on operation.



AutoNav

Set your course and let the HyDrone handle the rest. AutoNav provides automated waypoint navigation for efficient survey coverage.



AutoNav Plus

Enhanced control with seamless data logging. The AutoNav Plus enables efficient survey navigation while providing real-time monitoring and streamlined data collection.