

LT20XG Crossline Laser User Guide



Items Included:

Laser, 7V Lithium battery, Multi-functional accessories, target, charger, user guide and soft pouch



www.spectraprecision.com

Introduction

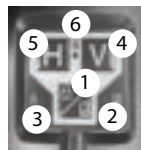
Welcome and thank you for choosing the Spectra Precision LT20XG. This easy-to-use cross line laser is engineered for precision, helping you align both horizontal and vertical projects with ease.

Before you begin, please take a few moments to read through this operator's manual carefully. Inside, you'll find all the essential information on operation, safety, and maintenance to ensure optimal performance and longevity of your tool.

For the best experience, always keep these instructions with your LT20XG, especially when handing it off to another user.

Keypad Controls

1. Pendulum lock & laser receiver LED light
2. Laser receiver LED light
3. Pendulum lock LED light
4. Vertical lines
5. Horizontal line
6. Battery status LED light



Pendulum Lock Toggle

Toggle (Off)

Pendulum is locked
Laser can be tilted for slopes
Laser can be stored for transportation



Toggle (On)

Pendulum is unlocked
Laser automatically self-levels for horizontal & vertical alignments



- 2 -

Technical Data

LT20XG	
Accuracy	+/-3 mm @ 10 m (1/8" at 30')
Visible distance	
• Lines (radius)	35 m (115 ft)
• With Receiver	75 m (250 ft)
Laser power - Class	< 1mW (Class 2)
Wavelength	520 nm
Power Supply	4 X AA
Battery Life	20 Hours
Out of Level Indication	Beam flashes continuously
Locked Pendulum indication	Double flash every 10 seconds
Self-leveling range	3 ° +/- 0.5° all directions
IP Rating	IP54
Operating Temp	-10°C to 45°C (14 °F to 113 °F)
Storage Temp	-20°C to 60°C (-4 °F to 140 °F)
Tripod Thread	1/4-20; 5/8-11
Size (L x H x W)	120 x 60 x 120 mm (4.72 x 2.36 x 4.72 in)
Weight	0.6kg (1.2 lb)

- 6 -

Storage

Always store the tool within the recommended temperature limits, especially during extreme summer or winter conditions. If the tool becomes wet, remove it from the carrying case and dry it thoroughly (maximum 40°C) before repacking. After prolonged storage or transport, verify the tool's accuracy before use to ensure optimal performance.

Transport

Always lock the laser before transport to prevent damage. For safe handling, use the original case or equivalent protective packaging to protect the tool during transit.

Laser Safety

This product should only be operated by trained individuals to prevent accidental exposure to hazardous laser light. To ensure safe use:

- Do not remove any warning labels, as they provide essential safety information.
- The LT20XG is a Class 2 laser product (520nm), designed for controlled use in professional settings.
- Avoid direct eye exposure to the laser beam, as it may cause discomfort or potential harm.
- Never direct the beam toward others, ensuring a safe working environment for everyone.



- 9 -

- 10 -

Toggle On

The pendulum is unlocked, enabling the laser beam to automatically self-level for precise horizontal and vertical alignment. Use the H and V buttons to cycle through the three available planes.

Note: When the pendulum is unlocked, the laser is susceptible to damage during transportation. Always ensure that the toggle is set to the OFF position after use to protect your laser.

Toggle OFF

Pendulum is locked, but the laser beam can still be used without being self-leveled. This mode is designed when a slope is required, such as installing stair rails. Press the Lock/Receiver control button once, then use the H and V buttons to cycle through the three available planes.

Receiver Mode

In Receiver Mode, the laser can be used with the receiver, which is useful when the beam isn't visible. To activate it, press the Lock/Receiver control button twice, then use the H and V buttons to cycle through the three available planes. Receiver Mode is available when the toggle is set to either ON or OFF.



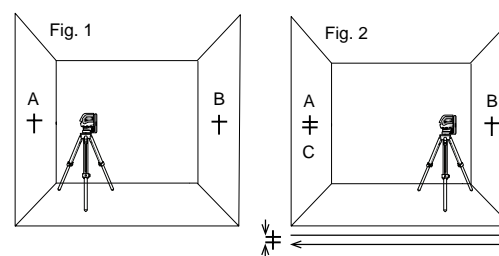
Scan this code to learn more about the LT20XG!

- 3 -

Horizontal Calibration Check

It is recommended to occasionally check the horizontal calibration of the laser:

- Find a room with a minimum of 5 m (16 ft) width.
- Turn on horizontal and vertical lines.
- Place laser near one of the walls (fig. 1).
- Mark horizontal line on near wall A.
- Rotate the laser 180 degrees and mark horizontal wall B.
- Move tripod to location near the other wall (fig 2).
- Align the laser so that horizontal line is aligned directly on point B.
- Rotate the laser 180 degrees and mark the line above/below point A. Call this point C.
- The difference between A and C is two times the accuracy of the distance between the walls.
- Example. If the distance between the walls is 5 m (16 ft) and the distance between A and C is 3 mm (1/8 in), then accuracy is 3 mm at 10 m (1/8 in at 33 ft)



- 7 -

Warranty

Spectra Precision LLC warrants the LT20XG to be free from defects in material and workmanship for a period of two years. Spectra Precision LLC or its authorized service center will repair or replace, at its option, any defective part, or the entire product, for which notice has been given during the warranty period. If required, travel and per diem expenses to and from the place where repairs are made will be charged to the customer at the prevailing rates. Customers should send the product to Spectra Precision LLC or the nearest authorized service center for warranty repairs or exchange, freight prepaid. Any evidence of negligent, abnormal use, accident, or any attempt to repair the product by other than factory-authorized personnel using Spectra Precision LLC certified or recommended parts, automatically voids the warranty. Special precautions have been taken to ensure the calibration of the laser; however, calibration is not covered by this warranty. Maintenance of the calibration is the responsibility of the user. The foregoing states the entire liability of Spectra Precision LLC regarding the purchase and use of its equipment. Spectra Precision LLC will not be held responsible for any consequential loss or damage of any kind. This warranty is in lieu of all other warranties, except as set forth above, including any implied warranty merchantability of fitness for a particular purpose, are hereby disclaimed. This warranty is in lieu of all other warranties, expressed or implied.

- 11 -

Batteries Installation

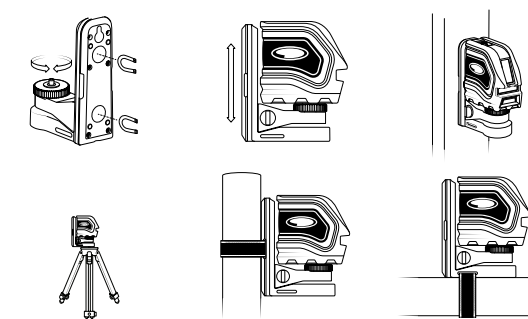
Your Crossline laser runs on 4 x AA batteries. For optimal performance, store the batteries in a cool, dry place and avoid extreme temperatures. If unused for long periods, replace them every six months to maintain efficiency.



Visibility

The visibility of the laser lines on the floor will improve significantly if the laser is raised above the floor 150-500 mm (6-18 inches).

Mounting Brackets

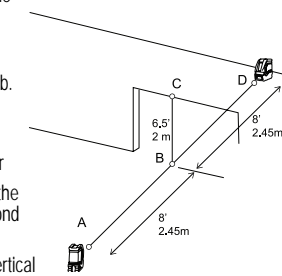


- 4 -

Vertical Calibration Check

It is recommended to occasionally check the vertical calibration of the laser:

- Find a door jamb about 2 m (6.5 ft) high.
- Mark point A at 2.5 m (8 ft) from door jamb.
- Turn on the laser vertical line and place it at point A toward the door jamb.
- Use the vertical line to mark point B under the door jamb, mark point C at the top of the door jamb and point D at 2.5 m (8 ft) beyond the door jamb.
- Move the laser to point D and align the vertical line with points A, B and D.
- Mark the point where the vertical line is on top of the door jamb near point C.
- If the line is within 1.5 mm (1/16 in), the vertical line is in tolerance.



- 8 -

Service Request

To locate your local dealer or authorized Spectra Precision Service Center for service, accessories, or spare parts, please visit our website at www.spectraprecision.com

Declarations

We declare under our sole responsibility that this product complies with the following directives and standards: IEC/EN 60825-1:2014, EN 61000-6-2, EN 61000-6-3, 2014/30/EU

Protecting the Environment

The laser, accessories and packaging ought to be recycled. All plastic parts are marked for recycling according to material type.

Note: Do not throw used batteries into the garbage, water or fire. Remove them in compliance with local environmental requirements. We value your feedback. If you have any comments or suggestions, please feel free to reach out to us at:

Spectra Precision
3265 Logistics Lane, Suite 200
Dayton, Ohio 45377 U.S.A.
Phone: (888) 527-3771
www.spectraprecision.com

Spectra Precision (Kaiserslautern) GmbH
Am Sportplatz 5
67661 Kaiserslautern
GERMANY
Tel: +49-(0)6301-71 14 14

